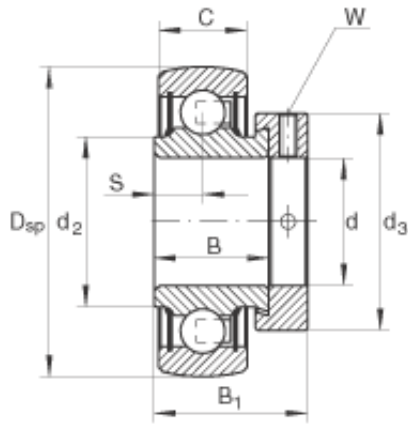




# SKF BEARING USA CORP.



## INA RAE15-NPP-B Ball Insert Bearings

Bearing No. RAE15-NPP-B

Size	15x40x28.6 mm
Bore Diameter	15 mm
Outer Diameter	40 mm
Width	28,6 mm
d	15 mm
D <sub>SP</sub>	40 mm
B <sub>1</sub>	28,6 mm
B	19 mm
C	12 mm
d <sub>2</sub>	23 mm
d <sub>3 max</sub>	28 mm
S	6,5 mm
W	3 mm
m	0,12 kg / Weight
C <sub>r</sub>	10100 N / Dynamic load rating (radial)
C <sub>0r</sub>	4750 N / Static load rating (radial)
Category	Insert Bearings Spherical OD
Inventory	0.0
Manufacturer Name	SCHAEFFLER GROUP
Minimum Buy Quantity	N/A
Weight / Kilogram	0.144
EAN	4012802800630
Product Group	M06110
Inner Race Profile	Narrow Inner Ring

RAE15-NPP-B Bearing 2D drawings and 3D CAD models



## SKF BEARING USA CORP.

Outer Race Profile	Spherical
Relubricatable	No
Seal Type	Double Lip Contact
Mounting Method	Eccentric Collar
Rolling Element	Ball Bearing
Snap Ring	No
Long Description	15MM Bore; Narrow Inner Ring; Ball Bearing; 28.6MM Length Thru Bore; 12MM Outer Race Width; 40MM Outside Diameter; Not Relubricatable; Double Lip Contact Seal; Eccentric Collar Mounting Method; No Sna
Inch - Metric	Metric
Other Features	Single Row   Metric
Category	Insert Bearings
UNSPSC	31171536
Harmonized Tariff Code	8482.10.50.00
Noun	Bearing
Keyword String	Insert
Manufacturer URL	<a href="http://www.ina.com">http://www.ina.com</a>
Manufacturer Item Number	RAE15NPPB
Weight / LBS	0.265
Bore	0.591 Inch   15 Millimeter
Outer Race Width	0.472 Inch   12 Millimeter
Outside Diameter	1.575 Inch   40 Millimeter
Length Thru Bore	1.126 Inch   28.6 Millimeter