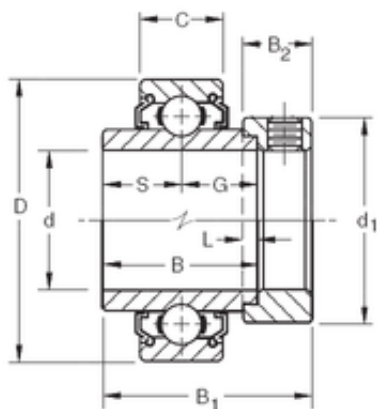




SKF BEARING USA CORP.

31.75 mm x 62 mm x 36,51 mm Timken 1103KLL3 Ball Insert Bearings



Bearing No. 1103KLL3

Size	31.75x62x36.51 mm
Bore Diameter	31.75 mm
Outer Diameter	62 mm
Width	36,51 mm
d	31.75 mm
D	62 mm
B	36,51 mm
C	16(1) mm
d1	44,1 mm
B1	48,42 mm
B2	15,88 mm
G	18,26 mm
L	3,97 mm
S	18,26 mm
Weight	0,358 Kg
Basic dynamic load rating (C)	21,8 kN

1103KLL3 Bearing 2D drawings and 3D CAD models